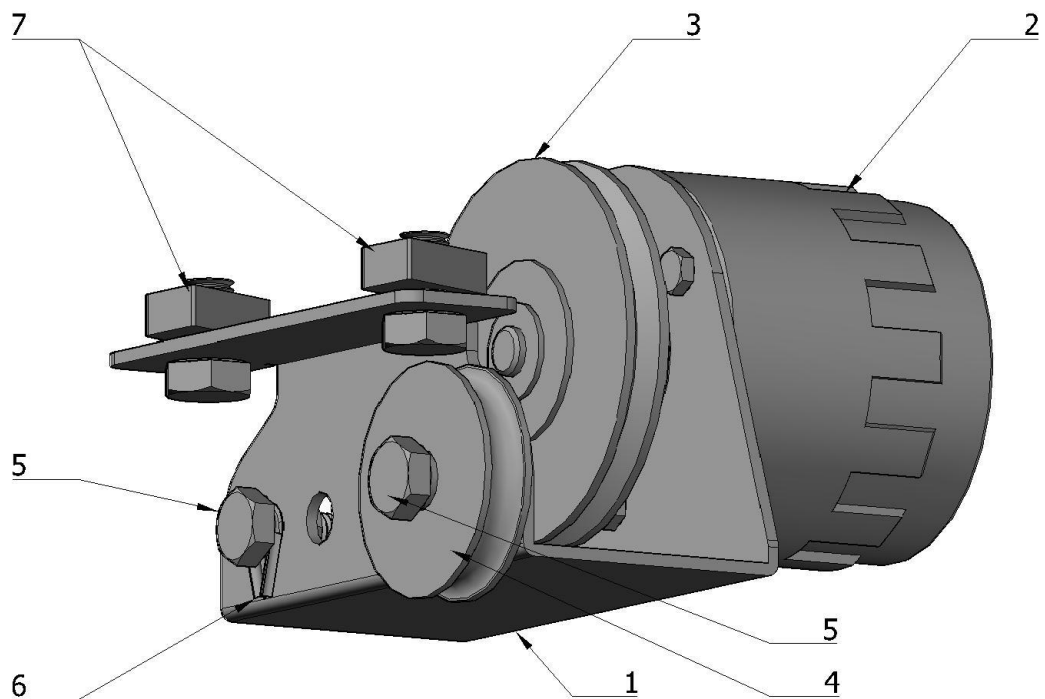




Appendix of the installation manual of SGS – combined bracket of counterweight and brake



Legend:

- 1 - bracket of brake and counterweight
- 2 - brake
- 3 - pulley of brake
- 4 - pulley Rolling
- 5 - screw M12x30
- 6 - rope thimble
- 7 - 2x screw M12 + threaded stone



1 INTRODUCTION

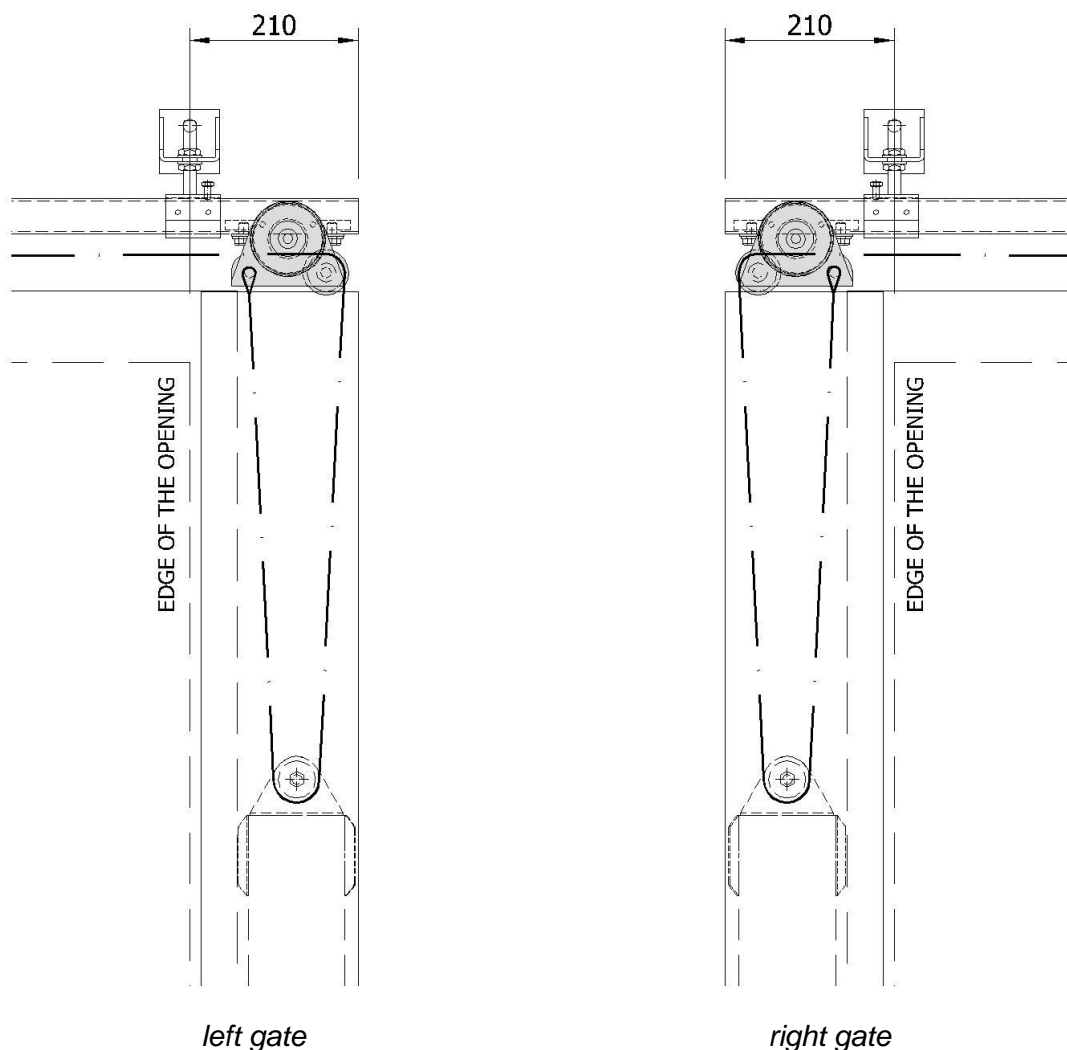
This appendix of the installation manual deals with installation of new bracket of brake, which also serves as bracket of counterweight pulley. Part of new solution is the use of counterweight made from jähl profiles and counter-pulley of brake, anchored to rail holder.

2 MOUNTING OF BRACKET OF COUNTERWEIGHT AND BRAKE

Before mounting the bracket on rail, check if the screw with pulley and screw with rope thimble are mounted into the correct holes. Position of screws depends on the opening direction of gate and on the type of counterweight (with one or three pulleys). Wider counterweights with three pulleys need an additional bracket with second pulley, which has to be mounted on rail system next to the bracket of brake. If the mounting of bracket on rail is done by a socket wrench, first of all it is necessary to dismount the screws with pulley and rope thimble and then mount the bracket on the rail. After it is finished the screws are mounted back.

2.1 BRACKET OF SIMPLE COUNTERWEIGHT

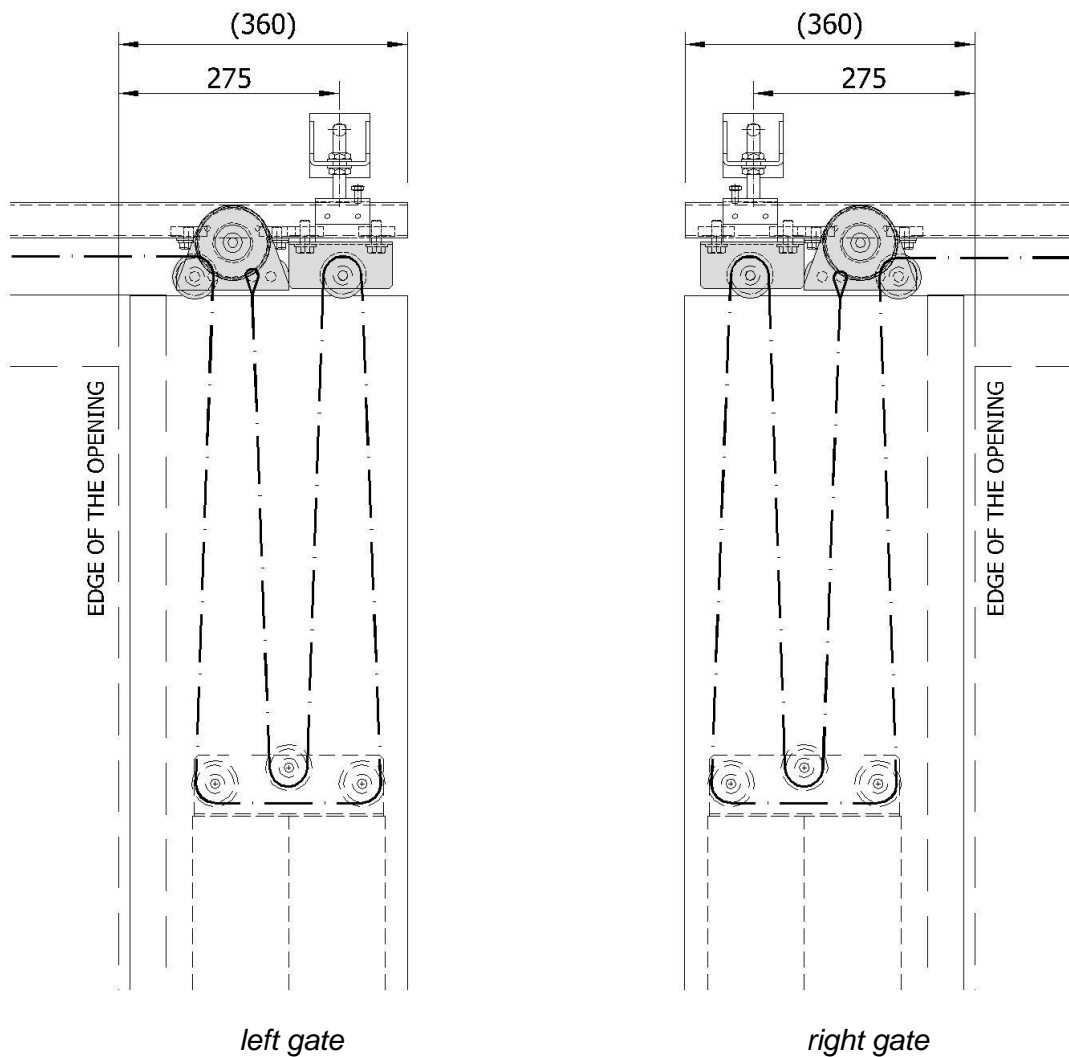
Pulley and screw with rope thimble are placed in holes at the edge of the bracket of brake. Rope thimble is nearer to the edge of constructional opening.





2.2 BRACKET OF COUNTERWEIGHT WITH THREE PULLEYS

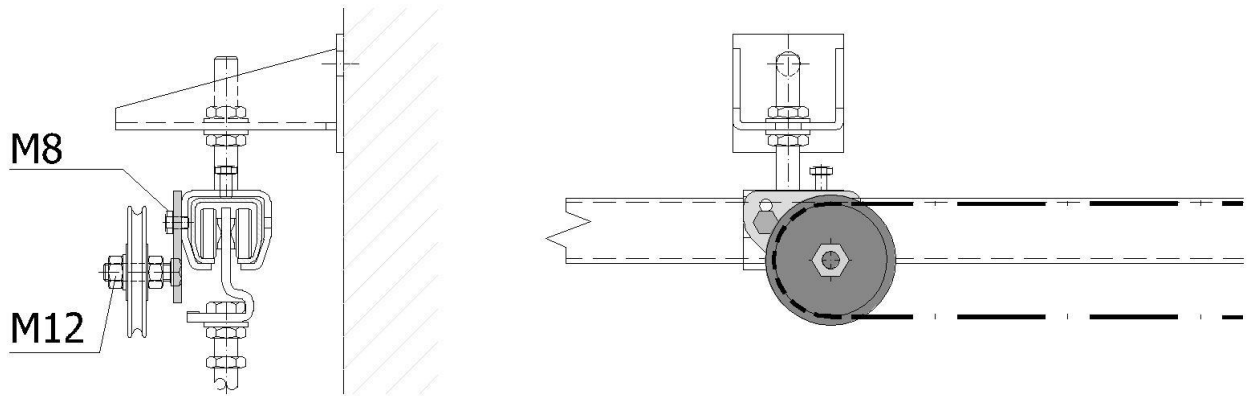
There is used the same bracket of brake, as in the previous case, together with the additional bracket for second pulley. Pulley in the bracket of brake has to be placed in the first hole from the constructional opening, rope thimble in the third hole from the opening. Additional bracket with one pulley has to be mounted under the rail holder, behind the bracket of brake



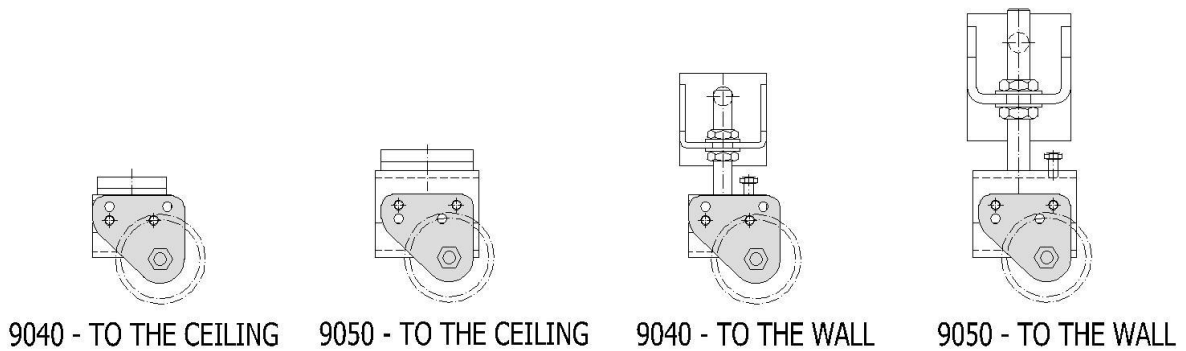


3 MOUNTING OF COUNTER-PULLEY HOLDER

Counter-pulley is delivered already mounted on the rail holder, which has special M8 threads in two side holes. This holder has to be placed into the position marked at the installation drawing.



Scheme of position of counter-pulley holder



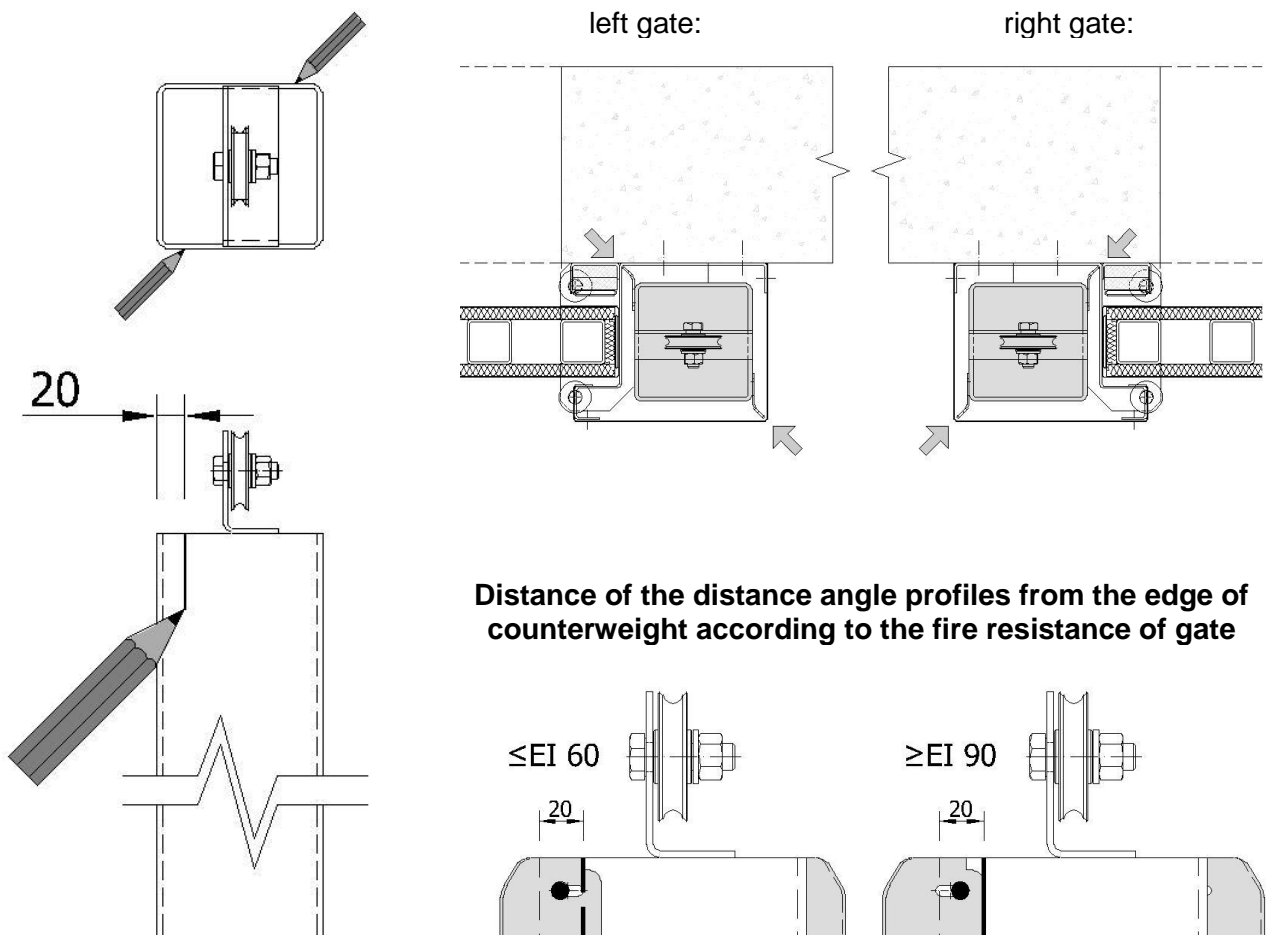
Examples of counter-pulley positions on four different types of rail holders



4 COUNTERWEIGHT FROM JÄKL 120/120/4

Before installation of the counterweight into stop profile it is necessary to mount 2 pcs of distance angle profiles on the upper part of counterweight to avoid rotation around its vertical axis. Position of the distance angle profiles changes according to the direction of gate opening. In accordance with the scheme, make a line on the two opposite sides of counterweight in distance 20 mm from the edge. Put the edge or cut-out of the distance profile to the line – depending on the given fire resistance (see the picture). In case of fire resistance up to EI60 – put the cut-out of the distance profile to the line, in case of fire resistance EI 90-EI120 – put the edge of the distance profile to the line. Fix the distance angle profile with the drilling screws TEX (part of delivery).

Position of distance angle profiles according to the opening direction of gate



Distance of the distance angle profiles from the edge of counterweight according to the fire resistance of gate

